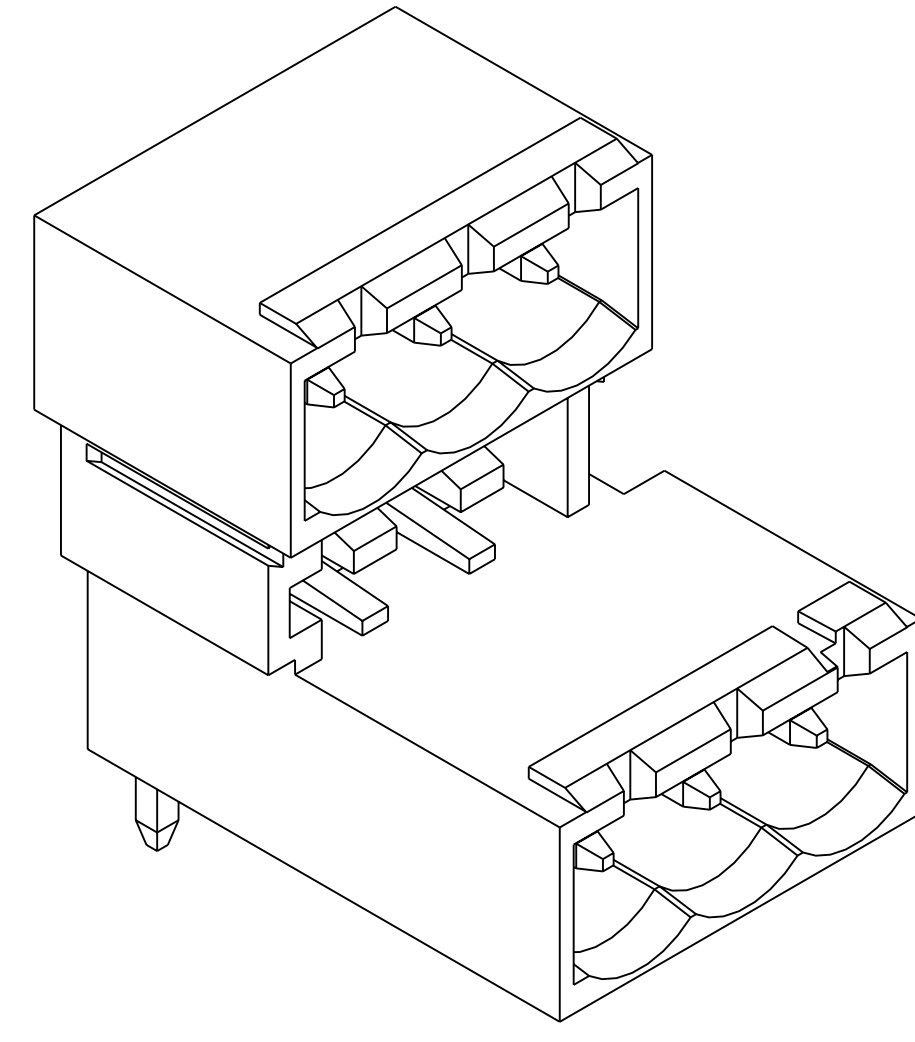
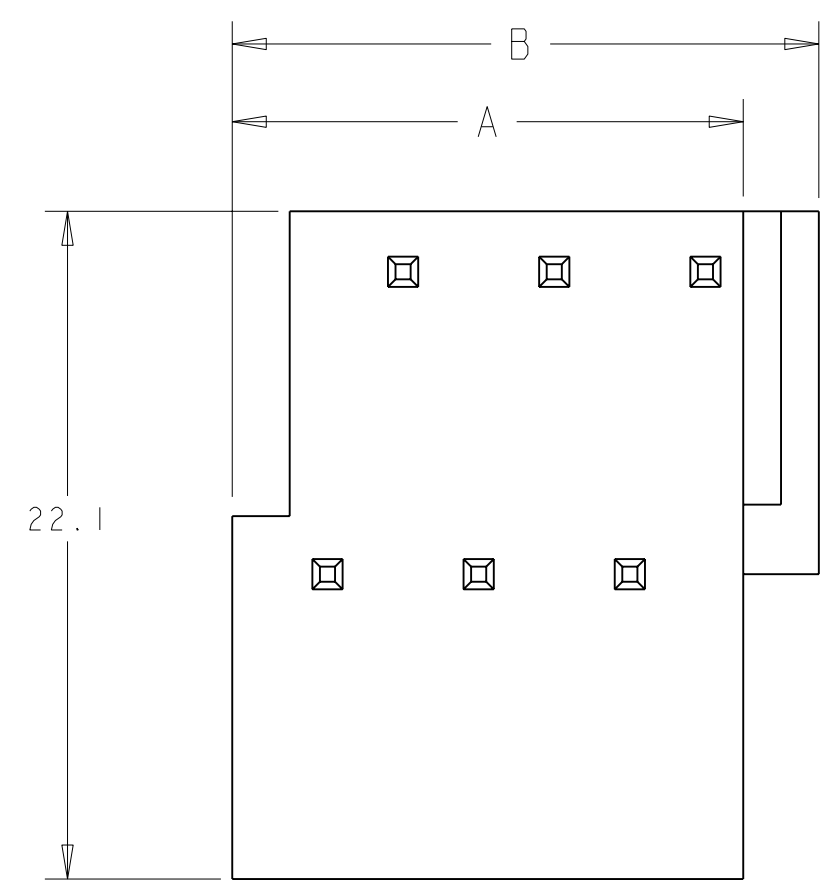


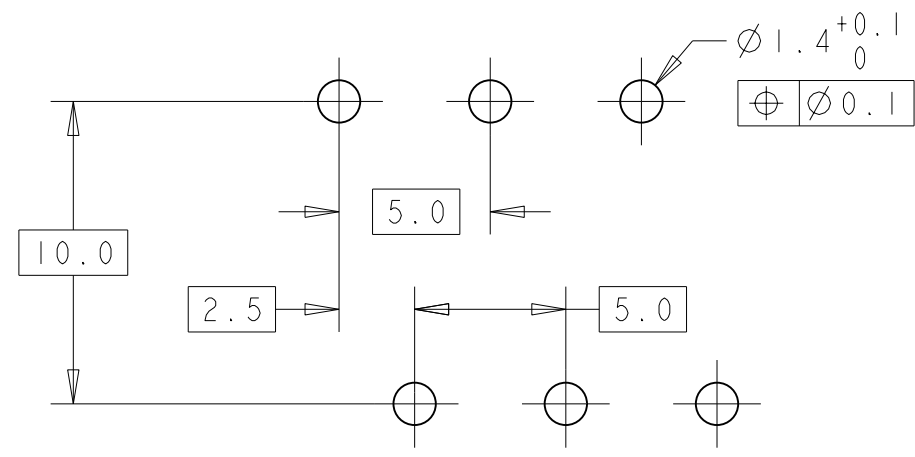
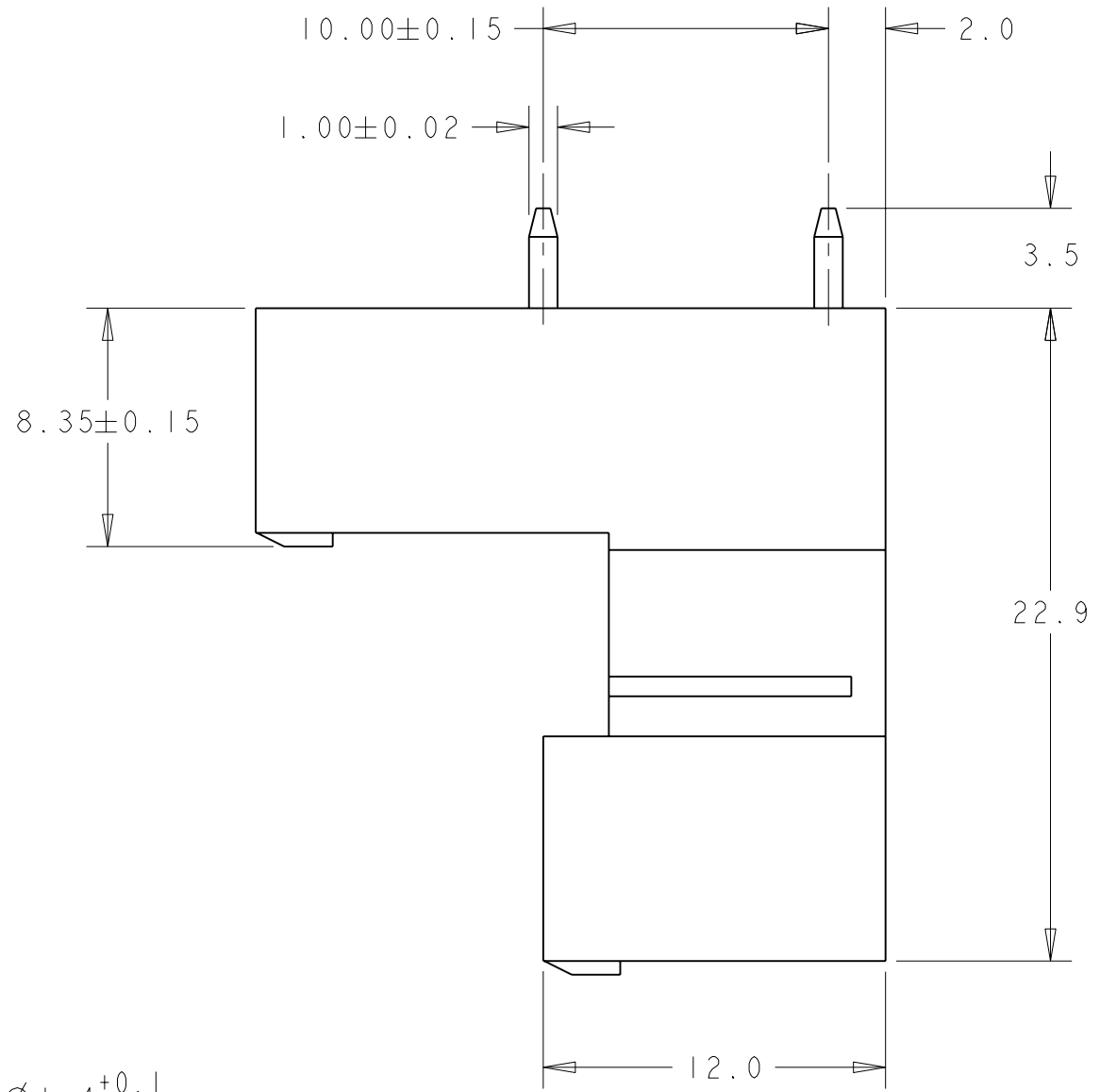
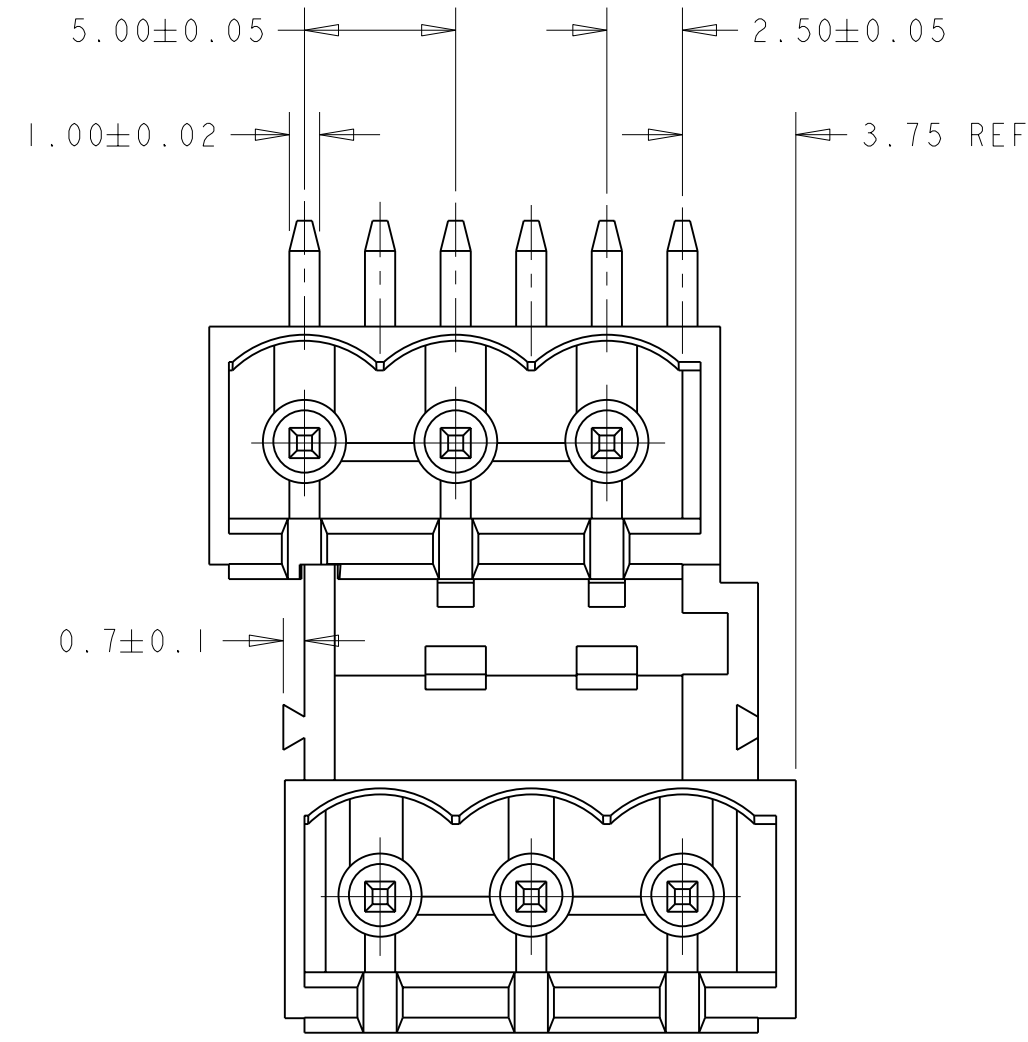
THIS DRAWING IS UNPUBLISHED. RELEASED FOR PUBLICATION 20
 © COPYRIGHT 20 BY TYCO ELECTRONICS CORPORATION. ALL RIGHTS RESERVED.

LOC		DIST		REVISIONS			
P	LTR	DESCRIPTION	DATE	DWN	APVD		
0		RELEASED EC 0G3B-0612-04	20JUL2005	SW	CR		



1776166-3 AS SHOWN

- 1. MATERIALS AND FINISH
 HOUSING: HIGH TEMPERATURE POLYAMIDE, UL 94V-0 RATED, COLOR: BLACK.
 TERMINAL: PHOSPHOR BRONZE, TIN PLATED.
- 2. SUITABLE FOR 1,6-2,4mm PC BOARD THICKNESS.
- 3. P/N FROM 1776166-4 TO 1776166-8 ARE OBTAINED BY ASSEMBLING 1776166-2 AND 1776166-3 TO ACHIEVE THE DESIRED NUMBER OF POSITIONS.



RECOMMENDED PC BOARD LAYOUT

44.5	42.0	8	1776166-8
39.5	37.0	7	1776166-7
34.5	32.0	6	1776166-6
29.5	27.0	5	1776166-5
24.5	22.0	4	1776166-4
19.5	17.0	3	1776166-3
14.5	12.0	2	1776166-2
B	A	NO OF POSN	PART NUMBER

THIS DRAWING IS A CONTROLLED DOCUMENT FOR TYCO ELECTRONICS CORPORATION. IT IS SUBJECT TO CHANGE AND THE CONTROLLING ENGINEERING ORGANIZATION SHOULD BE CONTACTED FOR THE LATEST REVISION.		DWN S. WELDON 9 JUL 2005	Tyco Electronics Harrisburg, PA 17105-3608	
DIMENSIONS: mm		CHK C. RICHARD 9 JUL 2005	BUCHANAN	
TOLERANCES UNLESS OTHERWISE SPECIFIED: 0 PLC ±.3 1 PLC ±.3 2 PLC ±.25 3 PLC ±. 4 PLC ±. ANGLES ±2		APVD C. RICHARD 9 JUL 2005	NAME TERMINAL BLOCK HEADER ASSEMBLY, MULTIPLE, 90 DEGREE, CLOSED ENDS, 5.00mm PITCH	
MATERIAL		PRODUCT SPEC	SIZE A200779	CAGE CODE C=1776166
FINISH		APPLICATION SPEC	DRAWING NO	RESTRICTED TO
CUSTOMER DRAWING		WEIGHT	SCALE 4:1	SHEET 1 OF 1
			REV 0	